

Submersible pump for
pumping sandy water

PBX series

OPERATION MANUAL

- Thank you for purchasing a KOSHIN submersible pump.
- This instruction manual contains cautionary points for using the pump safely. Be sure to read the instructions before using the pump, and make sure that you understand how to use it. (Incorrect operation can lead to accidents and injury).
- The instruction manual should be stored carefully in a place where it can be viewed at any time.

SAFETY CAUTIONS

Before using the pump, read these safety cautions carefully and use the pump correctly.

The cautionary points presented here are designed to ensure that you use the product correctly and to prevent danger or damage to yourself and others.

The levels of danger and damage that will be incurred by ignoring the cautions and using the pump incorrectly are explained under the classifications of "DANGER," "WARNING," and "CAUTION."

All three represent important safety information, and you should observe them without fail.

⚠ DANGER

This is used for cases where there is a high risk of death or serious injury occurring.

⚠ WARNING

This is used for cases where it is possible that death or serious injury could occur.

⚠ CAUTION

This is used for cases where it is possible that injury could occur.

⚠ DANGER

Do not use this pump with combustible, flammable, or volatile liquids.

⚠ WARNING

- Make sure to ground the pump properly. There is a risk of electric shock.
- Repairs and disassembly should be undertaken only by someone who understands the structure of the pump.
 - * Contact your dealer for information about the structure.
- Do not touch the power plug with wet hands.
- Do not use the pump in an area accessible to people or animals.
- Set up a separation barrier to ensure that children, or people not of sound mind or body cannot come in contact with the pump.
- Have any power supply equipment and piping installation carried out by a professional service provider.
- Disconnect the power plug when cleaning or inspecting the pump.
- Do not put your hand or finger inside the unit.

⚠ CAUTION

- This product is for use with sandy water.
If the pump is used with any liquid other than sandy water or fresh water, it will not be covered by the warranty.
 - * Fresh water refers to water-supply water, well-water with no heavy filth (such as silt, clay, heavy mud).
 - * Sandy water refers to dirty water that does not contain heavy filth.
- Do not drop the pump or put it anywhere close to fire.
- Check regularly to make sure that the power cord and plug are not damaged, the power socket is not distorted, and there is no dust on or around the power plug.
Do not use the pump if there are any abnormalities.
- Do not move the pump while it is operating. After use, always make sure to disconnect the power plug before lifting the pump out of the water.
- If the product does not operate, or if there is any abnormality, immediately disconnect the power plug and request an inspection and repair from your dealer.

RESTRICTIONS

1) Make sure that the liquid in which the pump is used meets the following conditions.

Temperature: 5–40°C (41–104F°)

Viscosity: <5cP

pH: 6.5–8.0

(Do not use the pump in liquid that is combustible, flammable, or volatile, or with liquid containing oil, pharmaceuticals, salt, strong alkali, or strong acid.)

2) Make sure that power supply meets the following conditions.

Voltage: ±10% Frequency: ±1%

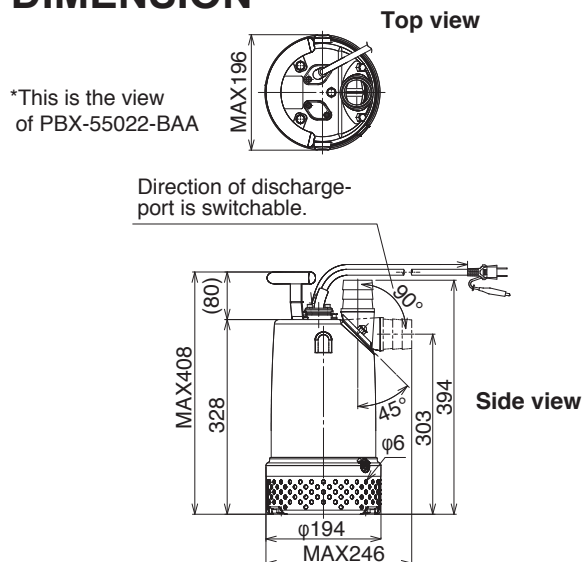
If both the voltage and frequency fluctuate, the power supply must be within half of these tolerances.

SPECIFICATIONS

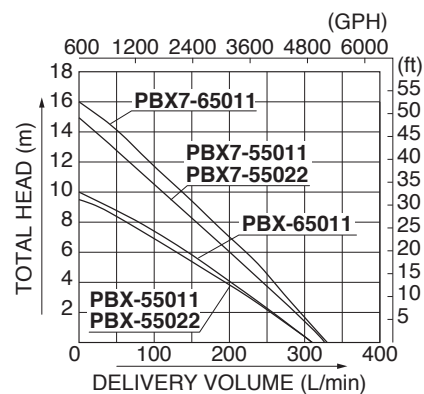
MODEL		PBX-55022			PBX-55011		PBX-65011	
TYPE		BAA	BAB/BAE	BAC/BAD	BAB	BAC	BAB	
PUMP	Connection Dia	mm	50					
		inch	2					
	Max.Head	m	9.5					10
		ft	31					33
Max.Delivery	L/min	310						
	GPH	4,870						
MOTER	Voltage [V]	AC 220			AC 110			
	Frequency [Hz]	50			60			
	Rated Current [A]	4.2			8.1			
	Output [W]	400			750			
	Consumption [W]	680			690			
	Revolution [rpm]	2,800			3,200			
Power Cord	VCT 3C×1.25mm ² ×6m	H07RN-F 3G×1.0mm ² ×10m	H07RN-F 3G×1.5mm ² ×10m		H07RN-F 3G×1.5mm ² ×20m		STOW 3/16AWG ×10m	
Maximum usage depth	5		7			5		
Net Weight [kg] *without cable	13.4							
Standard Accessories	Hoseband, Rope		HoseCoupling, Hoseband			Hoseband		

MODEL		PBX7-55022			PBX7-55011		PBX7-65011	
TYPE		BAA	BAB/BAC/BAD/BAE	BAB	BAC	BAB		
PUMP	Connection Dia	mm	50					
		inch	2					
	Max.Head	m	15					16
		ft	50					54
Max.Delivery	L/min	330						
	GPH	5,240						
MOTER	Voltage [V]	AC 220			AC 110			
	Frequency [Hz]	50			60			
	Rated Current [A]	6.0			12.0			
	Output [W]	750			1,250			
	Consumption [W]	1,250			1,250			
	Revolution [rpm]	2,800			3,200			
Power Cord	VCT 3C×2.0mm ² ×10m	H07RN-F 3G×1.5mm ² ×10m		H07RN-F 3G×1.5mm ² ×20m		VCT 3C×2.0mm ² ×15m		
Maximum usage depth	5		7			5		
Net Weight [kg] *without cable	13.6			13.7				
Standard Accessories	Hoseband, Rope		HoseCoupling, Hoseband			Hoseband		

DIMENSION



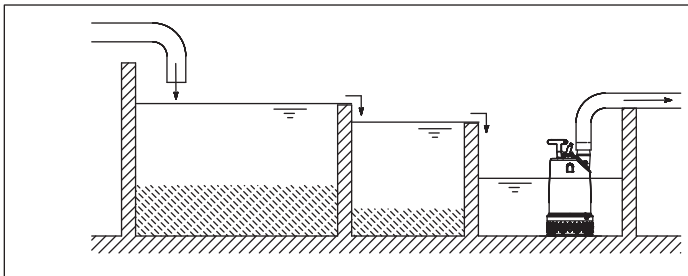
PERFORMANCE CURVE



*Starting current is three times higher than rated current.

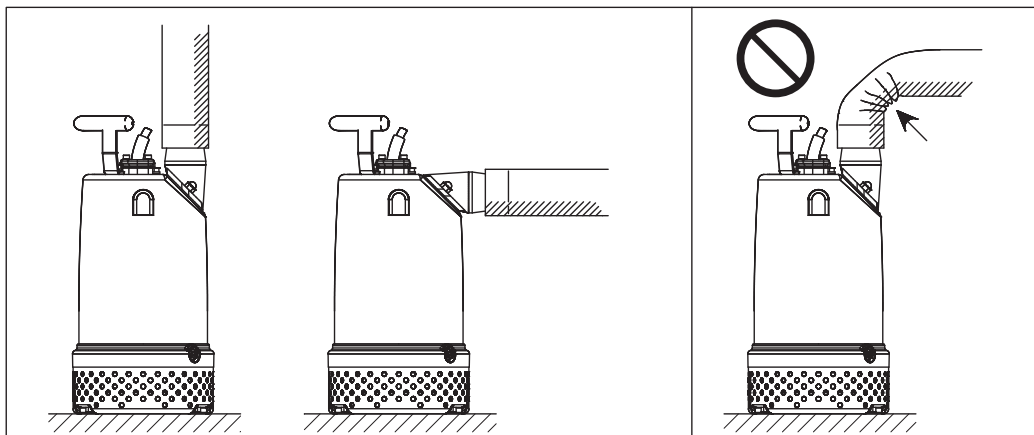
BEFORE USE

1. Check that the model type, frequency, and voltage of the pump are correct. (Refer to the model number plate)
2. Connect the ground wire to ground before connecting the power plug.
To prevent ground leakage incidents, install a ground leakage circuit breaker.
3. Hold the handle when carrying the pump.
Also, when installing the pump, tie a rope or similar line to the handle.
4. The pump should be installed in the position where water accumulates most easily.
When installing on soft ground, such as gravel or sand, position wooden boards or blocks, etc. below the strainer to prevent the pump from sinking.



The figure on the left shows an example of an installation method for reducing the chance of intaking sediment.

5. To change the hose angle, remove the delivery flange nuts and, taking care not to drop the packing, rotate the hose through 90 degrees and reattach it.



⚠ CAUTION

Be aware of the water-hammer effect.

If the delivery hose is stepped on or the delivery side valve closed suddenly while the pump is in operation, a great pressure will build up instantaneously inside the pump case.

Be careful, as this can cause damage to the pump.

6. Thermal protector

A thermal protector is installed inside the pump to protect the motor.

If the pump is operated at excessive load for some reason, the thermal protector automatically stops the pump to protect the motor. (Once the motor temperature has cooled, it restarts automatically.)

If this situation continues, carry out the following inspections.

* Always remove the power plug from the power supply whenever you conduct an inspection.

- Has any foreign matter (such as lint, solids or filth) gotten stuck and locked the impeller ?
- Has the power supply voltage become lower? (If using an extension cord or generator)
- Is the pump being used for liquid with a high specific gravity or high viscosity?

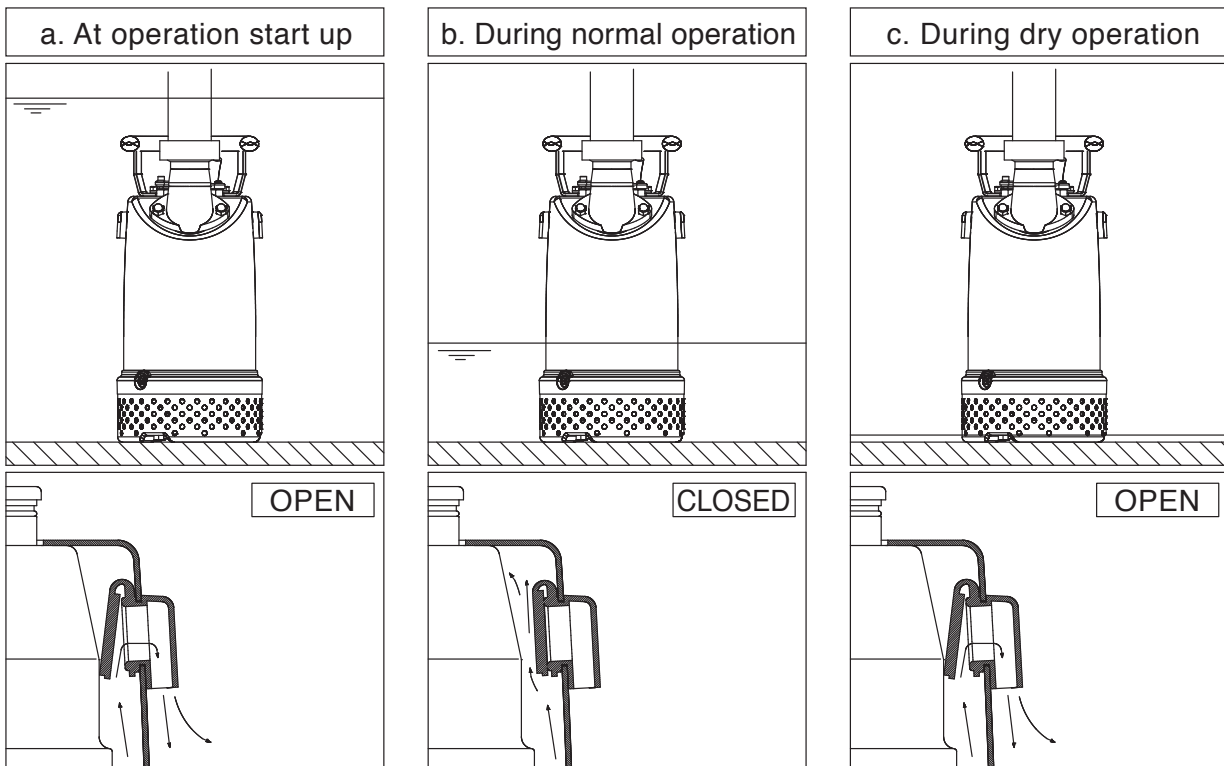
7. Operation of the air valve

This pump is fitted with an air valve. The air valve prevents air lock from occurring on operation start up, and a continuous airflow through the air valve will cool the motor, preventing overheating with the pump is running dry (without water).

▲ CAUTION

If debris, etc., becomes stuck in the air valve, it may not operate correctly.

Check that there is no foreign matter in the air valve before installing and operating the pump.



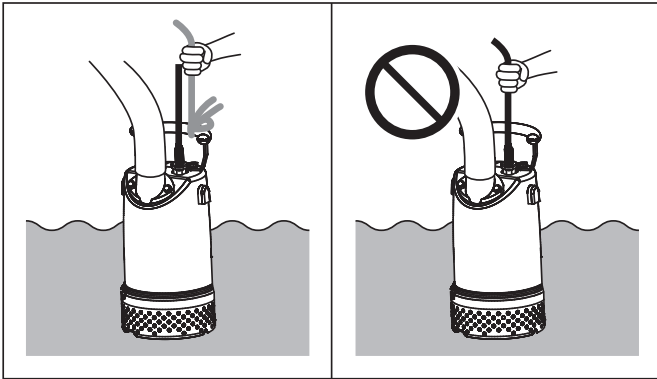
8. When using a generator, it must have a capacity 3–5 times of the electric power consumption of the pump.(Read the operating manual of the generator carefully and use it correctly).

HOW TO USE THE PUMP

1. Submerge the pump in the water.

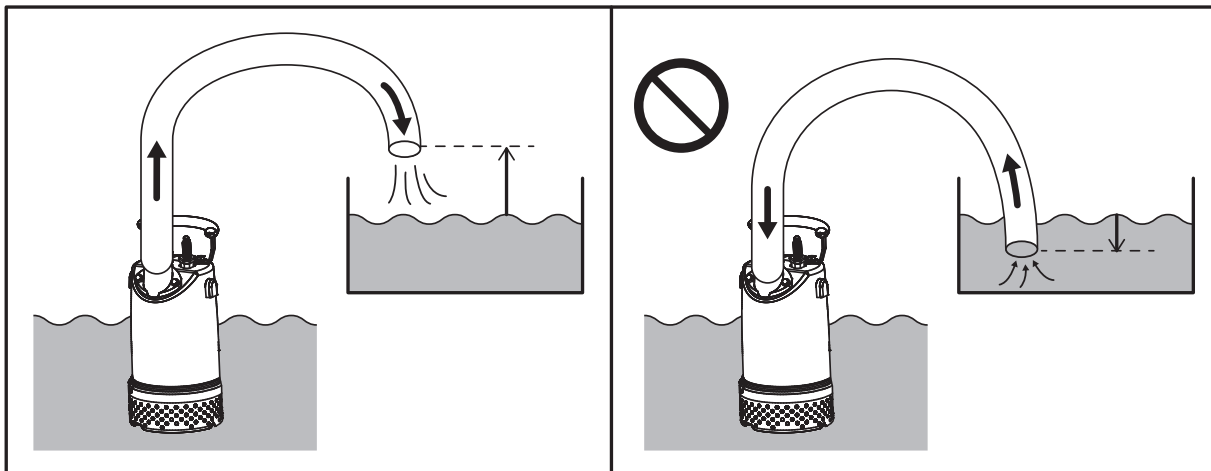
If you lower the pump by holding the power cord or hose, the cord will be broken and the hose will come out.

Tie a rope to the pump handle, and lower the pump slowly into the water.



2. Do not allow the end of the delivery hose to become submerged.

If the end of the hose is higher than the surface of the water when the pump is stopped, the water will flow back due to the siphon effect.



3. Connect the power plug.

CAUTIONS AFTER USE

1. After use, always make sure to disconnect the power plug and lift the pump out of the water.

The insulation will degrade and it will cause an electric shock or an electric leakage.

2. If the pump is used in water containing a large quantity of sand or heavy filth, and it is left standing after being stopped, the sand, etc. will remain inside the pump.

Before storing the pump, wash the inside thoroughly and dry it completely.

REPAIR AND INSPECTION

1. Check insulation resistance

Check the resistance of the insulation regularly.

Use a tester to measure the resistance between the ground wire and the power cord.

- 20 MΩ or more: Normal
- 1-20 MΩ: Sufficient to operate the pump but the power cord and motor should be inspected as soon as possible.
- 1 MΩ or less: Abnormal. Conduct inspection and repair.

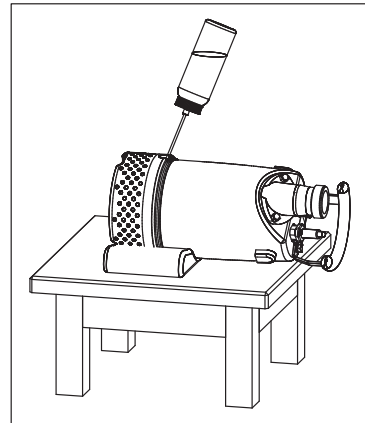
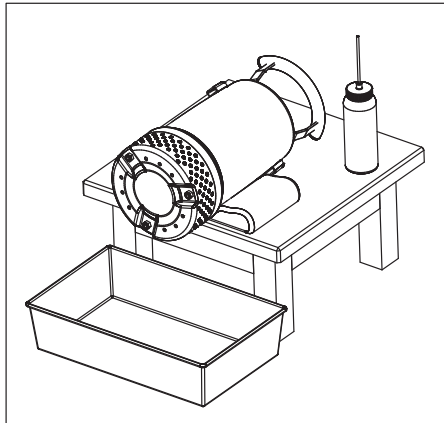
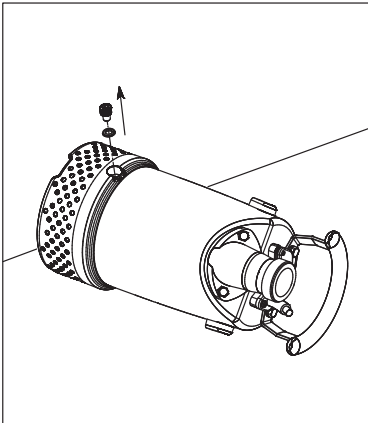
2. Replacing the paraffin

The shaft seal which is the pump's most important water tight component is sealed with liquid paraffin.

Inspect the liquid paraffin every 1,000 hours (or every 3 months).

If the liquid paraffin gets impure when removed, or if water is mixed into it, the seal assembly (mechanical seals, etc.) needs to be replaced.

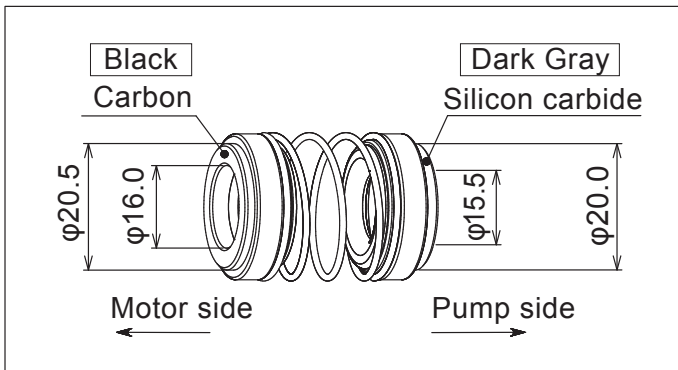
(The amount of liquid paraffin in the seal is 280 cc.)



3. Replacing the mechanical seals

This submersible pump uses a double mechanical seal.

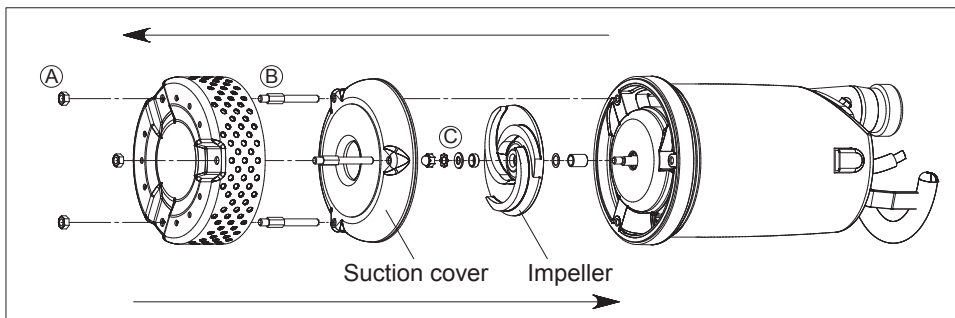
During assembly, install a carbon mechanical seal on the motor side, and a silicon carbide mechanical seal on the pump side.



4. Impeller inspection

If foreign matter is stuck in the strainer or the impeller, the delivery volume will decrease and it will also have a negative impact on the life time of the pump. Conduct an inspection by carrying out the following procedure.

* Always remove the power plug whenever you conduct an inspection.



Tightening torque(N·m / lb·ft)		
Ⓐ	15 N·m	11.06 lb·ft
Ⓑ	15 N·m	11.06 lb·ft
Ⓒ	5 N·m	3.68 lb·ft

Wash the strainer and impeller with clean water.

Wash away any dirt around the motor shaft with water.

Reassemble the components by performing the disassembly procedure in reverse order.

Always replace any damaged or worn components.

5. Power cord replacement

If the power cord requires replacement due to wear or damage, contact your dealer to request replacement.

6. (for PBX7-55022)

After stopping the operation, high electric voltage should remain in the capacitor under head cover.

Maintenance or repairing works must be restricted by skilled staff.

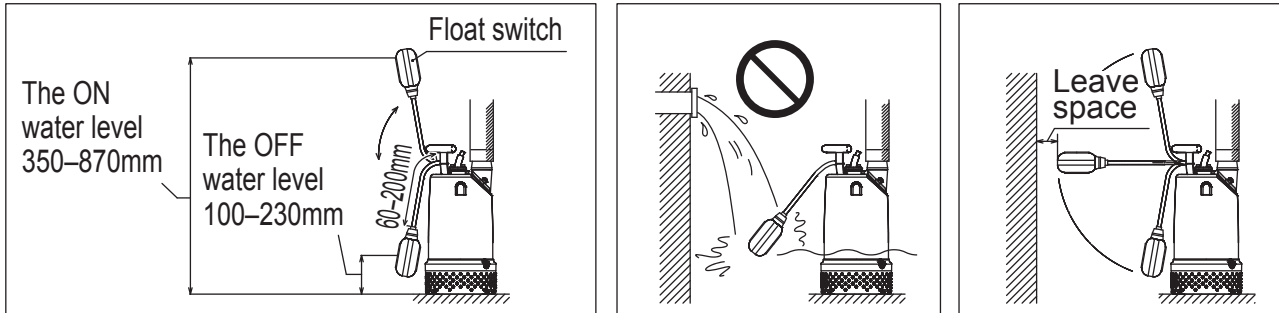
Improper works may cause serious injury by strong electric shock. Please be careful for handling.

OPTIONAL COMPONENTS

FLOAT SWITCH

Enables automatic control of pump start and stop.

The pump starts automatically when the water level rises and the float comes up to the ON water level and stops automatically when the water level falls and the float comes down to the OFF water level.

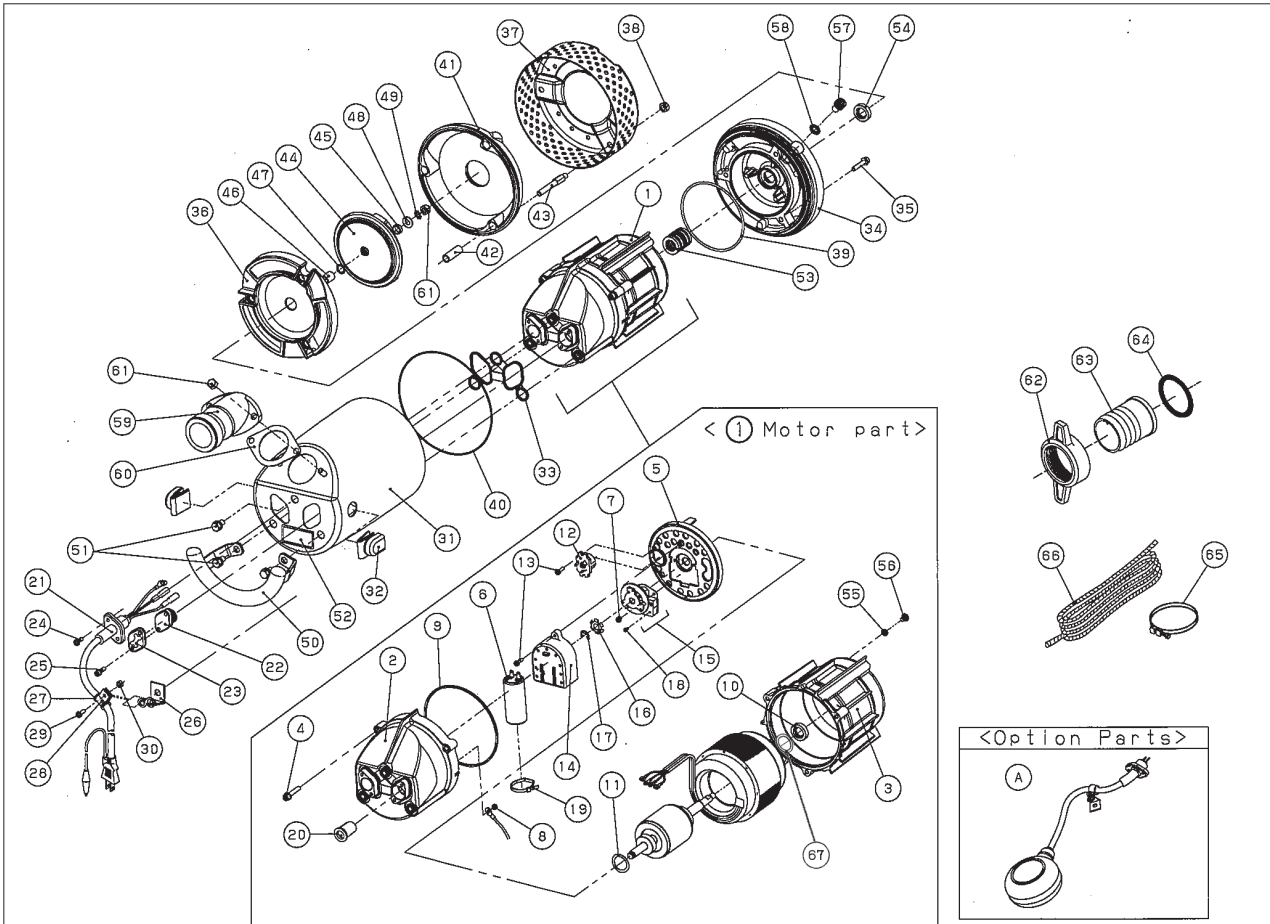


FAULTS AND HANDLING

Symptom	Cause	Remedy	
Pump will not turn	No power supply	Connect to power supply	
	Power supply is switched on	Power cord cut or not contacting properly	Inspection and repair at dealer
		Voltage drop	Check extension cord
		Impeller locked due to entry by foreign matter	Clean strainer and casing
		Water penetration into motor	Inspection and repair at dealer
Pump stops during operation	Safety device is operating (thermal protector)	Inspect piping and pump to reduce the load	
	Impeller locked due to entry by foreign matter	Clean strainer and casing	
	Rise in water temperature	Lower water temperature	
	Incorrect frequency/voltage	Check that the value on the model number plate and the power supply are the same.	
Decrease in pump performance	Loss due to clogging or bending of hose	Wash the inside of the hose and remove bends	
	Hose bore too small, hose too long	Use a hose with a wider bore, shorten hose	
	The pump is sucking in air	Increase water level	
	Worn impeller	Replace impeller	
	Clogging inside pump	Wash inside pump	
	Pump head too high	Lower the pump head	
Air valve will not close	Foreign matter clogging air valve	Clean air valve	
	The pump is sucking in air	Increase water level	

PARTS LIST

PBX-55022-BAA, -BAB, -BAC, -BAD, -BAE PBX-55011-BAB, -BAC / PBX-65011-BAB



No.	PARTS CODE	PARTS NAME	QTY
1	0438190	PBX-5011 Motor Set 400W/110V (No.2-20,55,56)	1
	0438191	PBX-5022 Motor Set 400W/220V (No.2-20,55,56)	1
2	0430603	Head Cover	1
3	0430611	Motor Frame	1
4	734605055	Bolt (M6x35)	3
5	0430610	Motor Bracket	1
6	0390002	Condenser (125VAC 150μF)	1
7	0430073	+ Screw (M4x6)	2
8	707819036	+ Screw (M4x8)	1
9	0390149	Head Packing	1
10	893555043	Oil Seal	1
11	857627023	Wave Washer	1
12	0390079	Thermal Protector (Spec. 400W/110V)	1
	0430677	Thermal Protector (Spec. 400W/220V)	1
13	708119040	Bolt (M4x16)	3
14	0430615	Centrifugal Force Switch-cover	1
15	0398161	Centrifugal Force Switch	1
16	0390141	Toothed Washer	1
17	888727008	Stop Ring	1

No.	PARTS CODE	PARTS NAME	QTY
18	707825018	+ Screw (M3x6)	2
19	0390142	Band	1
20	0430607	Connector	1
21	0430573	Power Cord with Atype plug VCT 3Cx1.25mm ² x6m (PBX-55022-BAA)	1
	0438160	Power Cord with CEE7/4 Schuko plug H07RN-F 3Gx1.0mm ² x10m (PBX-55022-BAB/BAE)	1
	0430681	Power Cord with BFtype plug H07RN-F 3Gx1.5mm ² x10m (PBX-55022-BAC)	1
	0430673	Power Cord with CEE7/4 Schuko plug H07RN-F 3Gx1.5mm ² x10m (PBX-55022-BAD)	1
	0438158	Power Cord with B3type plug H07RN-F 3Gx1.5mm ² x10m (PBX-55011-BAB)	1
0438210	Power Cord with B3type plug H07RN-F 3Gx1.5mm ² x20m (PBX-55011-BAC)	1	

No.	PARTS CODE	PARTS NAME	QTY
21	0430670	Power Cord with A (with ground pin)type plug STOW 3/16AWGx10m (PBX-65011-BAB)	1
22	0430620	Float Cap	1
23	0430633	Float Cap Holder	1
24	703305102	+ Screw (M5x14)	2
25	734605036	Bolt (M5x18)	2
26	0438189	Chain Assy	1
27	0390031	Cord Supporter	1
28	0260018	Cord Band	1
29	703305100	+ Screw (M5x10)	1
30	827305005	Nut (M5)	1
31	0430605	Out Cover "PONSTAR" (PBX-55022/55011)	1
	0430653	Out Cover "KOSHIN" (PBX-65011)	1
32	0430625	Air Valve	2
33	0430621	Out Packing	1
34	0430613	Outer Casing	1
35	734605055	Bolt (M6x35)	3
36	0430617	Inner Casing	1
37	0430225	Strainer	1
38	827405008	Nut (M8)	3
39	889955110	O-Ring (G110)	1
40	0430634	O-Ring (S170)	1
41	0430619	Suction Cover	1
42	0430632	Spacer	3
43	0430631	Stud Bolt	3
44	0430614	50Hz Impeller	1
	0430612	60Hz Impeller	1
45	0430441	Impeller Bush	1
46	0430656	Sleeve	1
47	0390025	Impeller Adjusting Washer	2
48	846505008	Washer	1
49	845305008	Toothed Washer	1
50	0430604	Handle	1
51	0430638	Bolt (M8x18)	3
52	0430646	PBX-55022-BAA-0 Name Plate	1
	0430660	PBX-55022-BAB-0 Name Plate	1
	0430661	PBX-55022-BAC-0 Name Plate	1
	0430718	PBX-55022-BAD-0 Name Plate	1
	0430719	PBX-55022-BAE-0 Name Plate	1

No.	PARTS CODE	PARTS NAME	QTY
52	0430645	PBX-55011-BAB-0 Name Plate	1
	0430723	PBX-55011-BAC-0 Name Plate	1
	0430644	PBX-65011-BAB-0 Name Plate	1
53	0390003	Mechanical Seal	1
54	893555043	Oil Seal	1
55	0340142	Seal Ring	1
56	0340153	+ Screw (M6x8)	1
57	0390037	Socket Bolt (M10x12)	1
58	854255010	Seal Washer	1
59	0430624	Delivery Flange (G) (PBX-55022-BAB/BAC/BAD/BAE/PBX-55011-BAB/BAC)	1
	0430630	Delivery Flange (Nipple) (PBX-55022-BAA)	1
	0430623	Delivery Flange (NPT) (PBX-65011-BAB)	1
60	0390559	Delivery Packing	1
61	835305008	Cap Nut (M8)	3
62	0113390	Coupling	1
63	0110356	Nipple	1
64	0113391	Coupling Packing	1
65	940019060	Hose Band (φ60)	1
66	0398157	Rope (PBX-55022-BAA)	1
67	0430761	Bearing Washer	1
	0430599	UK Socket (PBX-55022-BAB)	1
	0390140	Grease	1
	0438209	Ground Wire Assy	1
	0398141	Lead Wire Assy A	1
	0398142	Lead Wire Assy B	1
	0390383	Paraffin	2.8

Optional Components

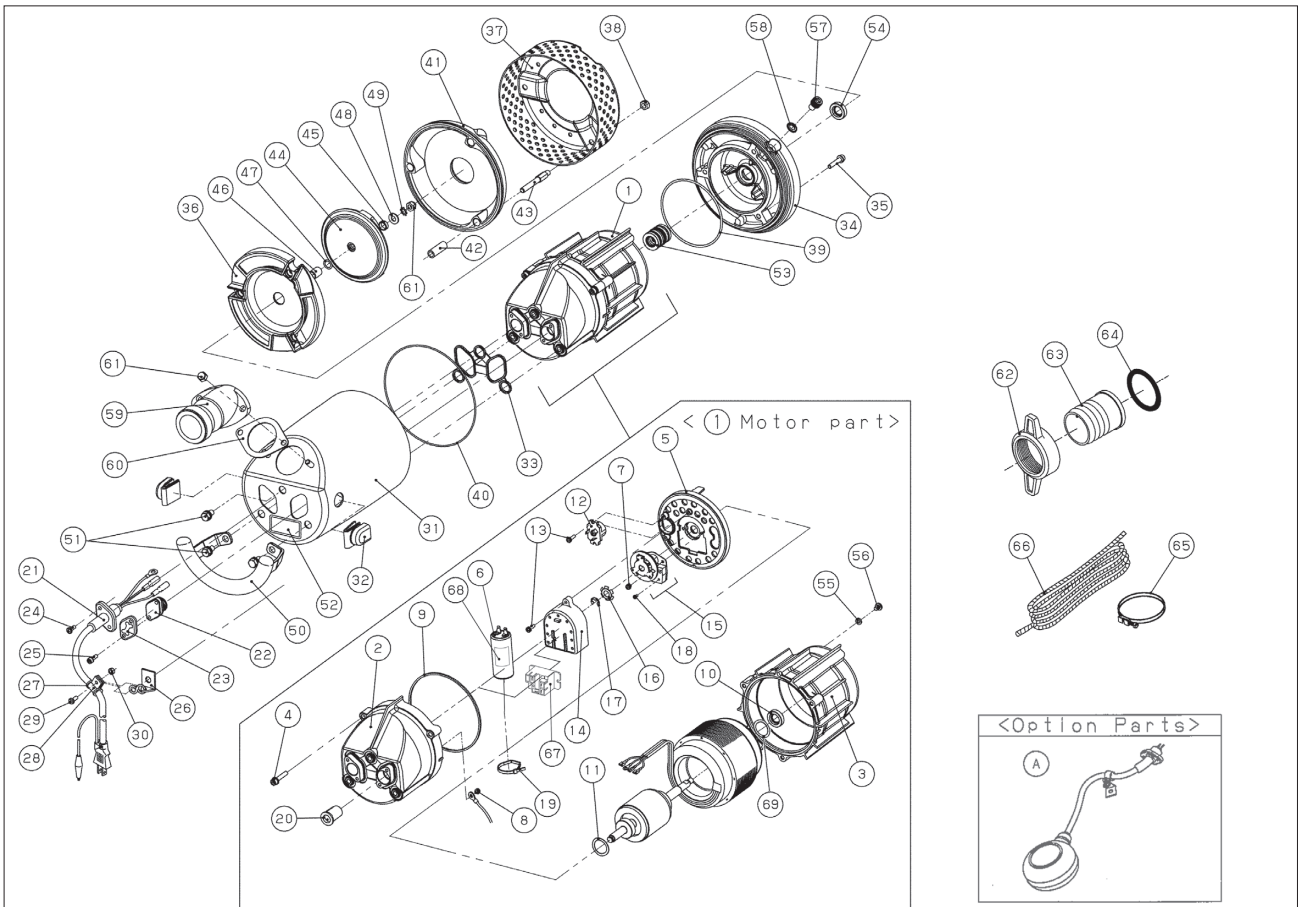
A	0208570	Float Switch (PA-396)	1
---	---------	-----------------------	---

*62-64 is Attachment for
PBX-55022-BAB/BAC/BAD/BAE/
PBX-55011-BAB/BAC

*Contact your dealer for information about
the component list and optional components.

PARTS LIST

PBX7-55022-BAA, -BAB, -BAC, -BAD, -BAE PBX7-55011-BAB, -BAC / PBX7-65011-BAB



No.	PARTS CODE	PARTS NAME	QTY
1	0438192	PBX7-5011 Motor Set 750W/110V (No.2-20,55,56)	1
	0438193	PBX7-5022 Motor Set 750W/220V (No.2-20,55,56)	1
2	0430603	Head Cover	1
3	0430616	Motor Frame	1
4	734605055	Bolt (M6x35)	3
5	0430610	Motor Bracket	1
6	0390002	Condenser (125VAC 150μF)	1
7	0430073	+ Screw (M4x6)	2
8	707819036	+ Screw (M4x8)	1
9	0390149	Head Packing	1
10	893555043	Oil Seal	1
11	857627023	Wave Washer	1
12	0430606	Thermal Protector (Spec. 750W/110V)	1
	0430676	Thermal Protector (Spec. 750W/220V)	1
13	708119040	Bolt (M4x16)	3
14	0430615	Centrifugal Force Switch-cover (PBX7-55011, PBX7-65011)	1
	0430757	Centrifugal Force Switch-cover (PBX7-55022)	1
15	0398161	Centrifugal Force Switch	1

No.	PARTS CODE	PARTS NAME	QTY
16	0390141	Toothed Washer	1
17	888727008	Stop Ring	1
18	707825018	+ Screw (M3x6)	2
19	0390142	Band	1
20	0430607	Connector	1
21	0430672	Power Cord with Atype plug VCT 3Cx2.0mm ² x10 (PBX7-55022-BAA)	1
	0430673	Power Cord with CEE7/4 Schuko plug H07RN-F 3Gx1.5mm ² x10m (PBX7-55022-BAB/BAD/BAE)	1
	0430681	Power Cord with Bf type plug H07RN-F 3Gx1.5mm ² x10m (PBX7-55022-BAC)	1
	0438158	Power Cord with B3 type plug H07RN-F 3Gx1.5mm ² x10m (PBX7-55011-BAB)	1
	0438210	Power Cord with B3 type plug H07RN-F 3Gx1.5mm ² x20m (PBX7-55011-BAC)	1

No.	PARTS CODE	PARTS NAME	QTY
21	0438211	Power Cord with A (with ground pin)type plug VCT 3x2.0mm ² x15m (PBX7-65011-BAB)	1
22	0430620	Float Cap	1
23	0430633	Float Cap Holder	1
24	703305102	+ Screw (M5x14)	2
25	734605036	Bolt (M5x18)	2
26	0438189	Chain Assy	1
27	0390031	Cord Supporter	1
28	0260018	Cord Band	1
29	703305100	+ Screw (M5x10)	1
30	827305005	Nut (M5)	1
31	0430605	Out Cover "PONSTAR" (PBX7-55022/55011)	1
	0430653	Out Cover "KOSHIN" (PBX7-65011)	1
32	0430625	Air Valve	2
33	0430621	Out Packing	1
34	0430613	Outer Casing	1
35	734605055	Bolt (M6x35)	3
36	0430617	Inner Casing	1
37	0430225	Strainer	1
38	827405008	Nut (M8)	3
39	889955110	O-Ring (G110)	1
40	0430634	O-Ring (S170)	1
41	0430619	Suction Cover	1
42	0430632	Spacer	3
43	0430631	Stud Bolt	3
44	0430609	50Hz Impeller	1
	0430608	60Hz Impeller	1
45	0430441	Impeller Bush	1
46	0430656	Sleeve	1
47	0390025	Impeller Adjusting Washer	2
48	846505008	Washer	1
49	845305008	Toothed Washer	1
50	0430604	Handle	1
51	0430638	Bolt (M8x18)	3
52	0430643	PBX7-55022-BAA-0 Name Plate	1
	0430662	PBX7-55022-BAB-0 Name Plate	1
	0430663	PBX7-55022-BAC-0 Name Plate	1
	0430720	PBX7-55022-BAD-0 Name Plate	1
	0430721	PBX7-55022-BAE-0 Name Plate	1
	0430642	PBX7-55011-BAB-0 Name Plate	1
	0430724	PBX7-55011-BAC-0 Name Plate	1

No.	PARTS CODE	PARTS NAME	QTY
52	0430641	PBX7-65011-BAB-0 Name Plate	1
53	0390003	Mechanical Seal	1
54	893555043	Oil Seal	1
55	0340142	Seal Ring	1
56	0340153	+ Screw (M6x8)	1
57	0390037	Socket Bolt (M10x12)	1
58	854255010	Seal Washer	1
59	0430624	Delivery Flange (G) (PBX7-55022-BAB/BAC/BAD/BAE/PBX7-55011-BAB/BAC)	1
	0430630	Delivery Flange (Nipple) (PBX7-55022-BAA)	1
	0430623	Delivery Flange (NPT) (PBX7-65011-BAB)	1
60	0390559	Delivery Packing	1
61	835305008	Cap Nut (M8)	3
62	0113390	Coupling	1
63	0110356	Nipple	1
64	0113391	Coupling Packing	1
65	940019060	Hose Band (φ60)	1
66	0398157	Rope (PBX7-55022-BAA)	1
67	0430758	Power Relay (PBX7-55022)	1
68	0430759	Caution Label (PBX7-55022)	1
69	0430761	Bearing Washer	1
	0430760	Scotch lok Connector (PBX7-55022)	2
	0438212	Lead Wire Assy A (PBX7-55022)	1
	0438213	Lead Wire Assy B (PBX7-55022)	1
	0438214	Lead Wire Assy C (PBX7-55022)	1
	0438215	Lead Wire Assy D (PBX7-55022)	1
	0438216	Lead Wire Assy E (PBX7-55022)	1
	734605007	Bolt (M3x10) (PBX7-55022)	2
	846105003	Washer (M3) (PBX7-55022)	2
	827305003	Nut (M3) (PBX7-55022)	2
	0430599	UK Socket (PBX7-55022-BAB)	1
	0430659	USA Plug (PBX7-65011-BAB)	1
	0390140	Grease	1
	0438209	Ground Wire Assy	1
	0398141	Lead Wire Assy A (PBX7-55011, PBX7-65011)	1
	0398142	Lead Wire Assy B (PBX7-55011, PBX7-65011)	1
	0390383	Paraffin	2.8

Optional Components

A	0208570	Float Switch (PA-396)	1
---	---------	-----------------------	---

*62-64 is Attachment for
PBX7-55022-BAB/BAC/BAD/BAE
PBX7-55011-BAB/BAC

*Contact your dealer for information about
the component list and optional components.

MEMO

SPARE PARTS



For spare parts information, visit ➔ <http://www.koshinpump.com>

KOSHIN LTD.

www.koshinpump.com

12 Kami-Hachinotsubo Kotari, Nagaokakyo City, Kyoto 617-8511 JAPAN
TEL.+81-75-953-2499 FAX.+81-75-954-6119