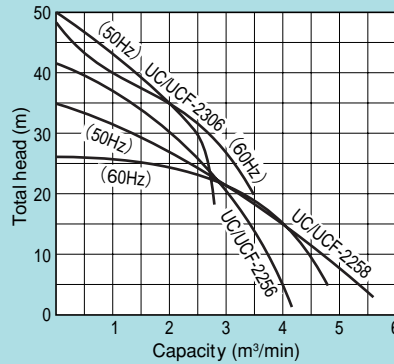
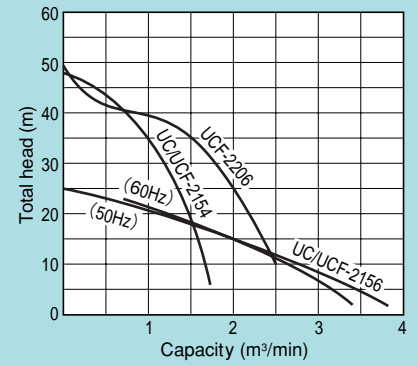
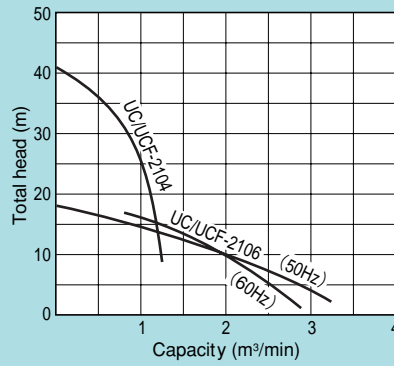
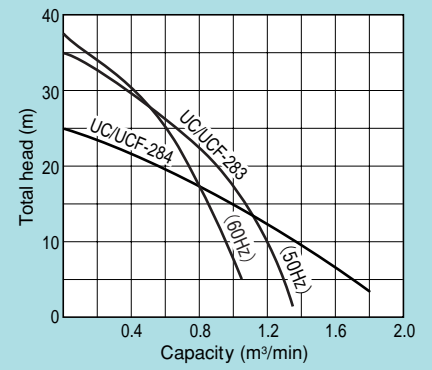
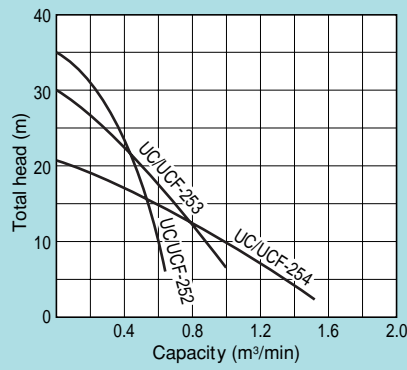


PERFORMANCE CURVES



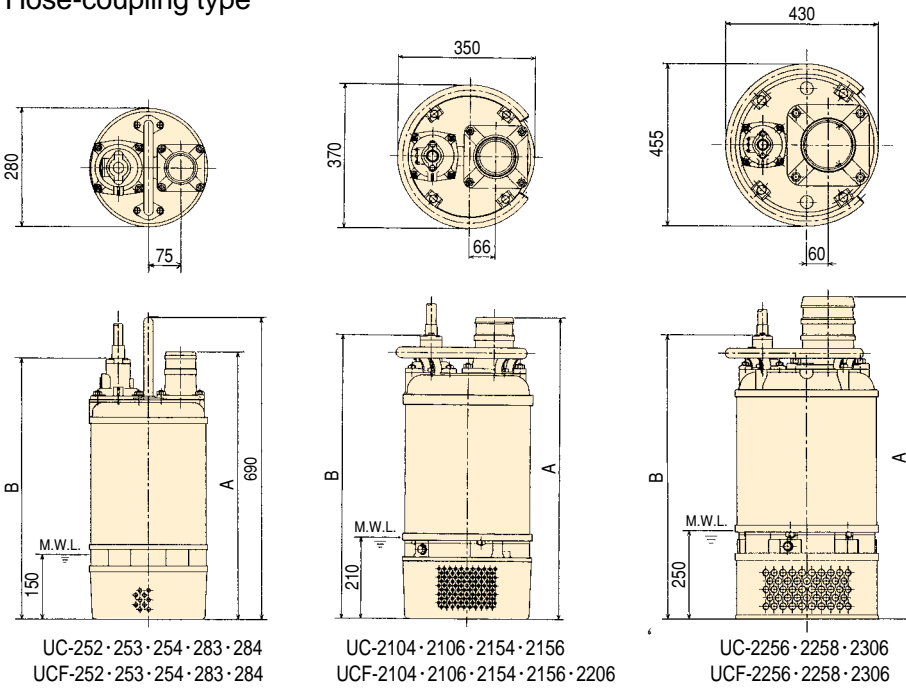
STANDARD SPECIFICATIONS

MODELS	DISCHARGE DIA		MOTOR OUTPUT		TOTAL HEAD	CAPACITY	CABLE LENGTH	WEIGHT WITHOUT CABLE
	mm	in	kW	HP	m	m³/min	m	kg
UC-252	50	2	3.7	5	30	0.2	10	51
UCF-252								89
UC-253	80	3	3.7	5	20	0.5	10	49
UCF-253								82
UC-254	100	4	3.7	5	10	1	10	49
UCF-254								84
UC-283	80	3	5.5	7.5	28	0.5	10	49
UCF-283								82
UC-284	100	4	5.5	7.5	15	1	10	49
UCF-284								84
UC-2104	100	4	7.5	10	27	1	10	82
UCF-2104								118
UC-2106	150	6	7.5	10	10	2	10	79
UCF-2106								113
UC-2154	100	4	11	15	35	1	10	87
UCF-2154								123
UC-2156	150	6	11	15	15	2	10	84
UCF-2156								118
UCF-2206	150	6	15	20	35(25)*	1.5(2)*	10	139
UC-2256	150	6	19	25	30	2	10	167
UCF-2256								231
UC-2258	200	8	19	25	15	4	10	157
UCF-2258								224
UC-2306	150	6	22	30	35	2	10	170
UCF-2306								231

*Figures in parentheses refer at 60Hz. • Specifications are subject to change without notice.

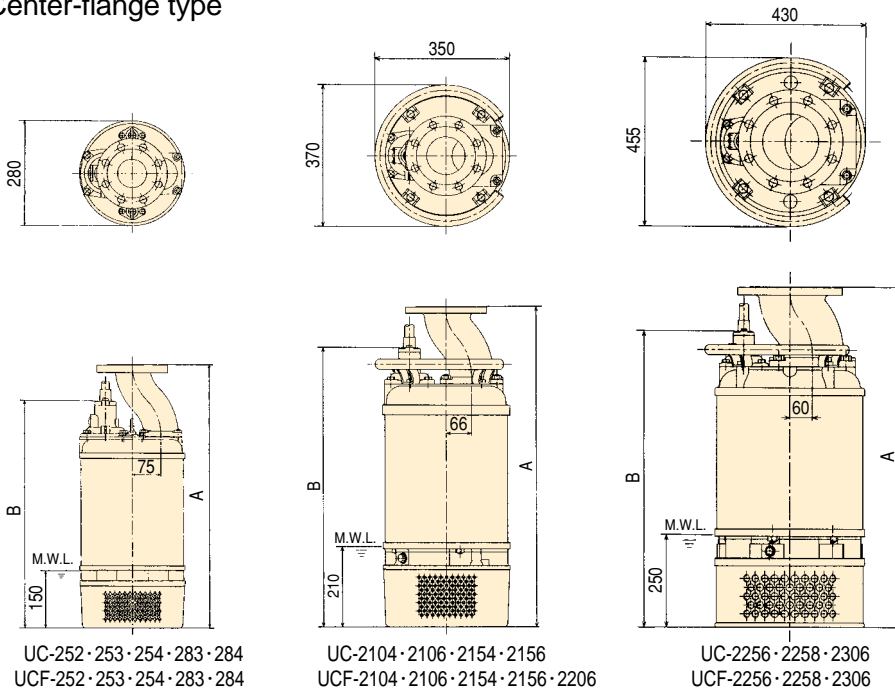
DIMENSIONS

Hose-coupling type




Model	A	B
UC/UCF-252	585	595
UC/UCF-253	610	595
UC/UCF-254	610	595
UC/UCF-283	610	595
UC/UCF-284	610	595
UC/UCF-2104	775	725
UC/UCF-2106	825	725
UC/UCF-2154	740	690
UC/UCF-2156	790	690
UCF-2206	840	740
UC/UCF-2256	900	795
UC/UCF-2258	930	795
UC/UCF-2306	900	795

Center-flange type



Model	A	B
UC/UCF-252	680	595
UC/UCF-253	690	595
UC/UCF-254	700	595
UC/UCF-283	690	595
UC/UCF-284	700	595
UC/UCF-2104	835	725
UC/UCF-2106	860	725
UC/UCF-2154	800	690
UC/UCF-2156	825	690
UCF-2206	875	740
UC/UCF-2256	910	795
UC/UCF-2258	950	795
UC/UCF-2306	910	795

- No. of holes of center-flange
 2 inch 4
 3 to 6 inches 8
 8 inch 12

 For safety operation, please be sure to read through our instruction manual before using the pumps.

SAKURAGAWA PUMP
MFG.CO.,LTD.

HEAD OFFICE : 1-2-11, ITSUKAICHI, IBARAKI, OSAKA 567-8525, JAPAN.
 TEL : 81-72-645-5254 FAX : 81-72-645-5253

<http://www.sakura-p.net>